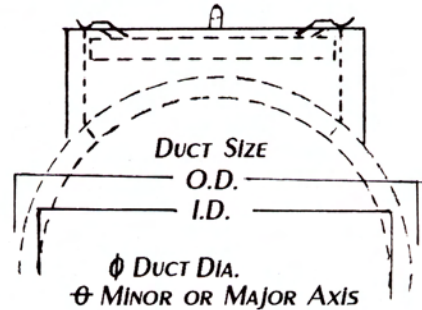
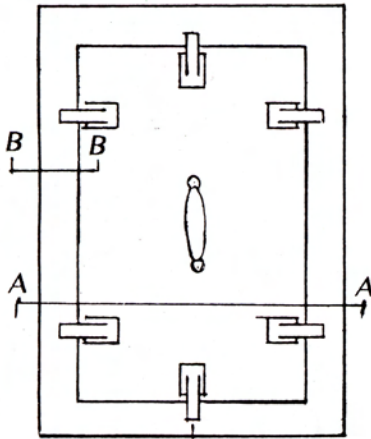




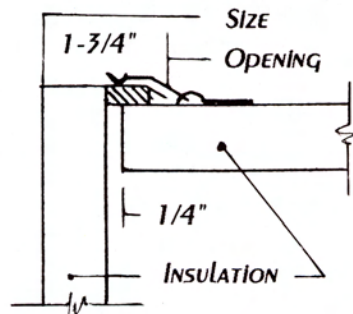
MONROE METAL MFG. CO.

MONROE, NORTH CAROLINA

DOUBLE WALL VACUUM RELIEF ACCESS DOOR



SECTION A-A



DETAIL B-B

Physical DATA:

MODEL	SIZE W & L	OPENING IN CLEAR	CLIP SPACING		
			X	Y	Z
MVA-812-D	8" X 12"	4 1/2" X 8 1/2"	4"	6"	-
MVA-1212-D	12" X 12"	8 1/2" X 8 1/2"	6"	6"	-
MVA-1420-D	14" X 20"	10 1/2" X 16 1/2"	7"	5"	10"

MODEL	Ø DUCT DIA. (O.D.)	± DUCT AXIS (O.D.)		W.C. PRES. IN. VAC.
		MINOR	MAJOR	
MVA-812-D	8" TO 12"	8" TO 11"	8" TO 16"	9.4
MVA-1212-D	13" TO 18"	12" TO 13"	17" TO 24"	6.9
MVA-1420-D	19" PLUS	14" PLUS	25" PLUS	5.9